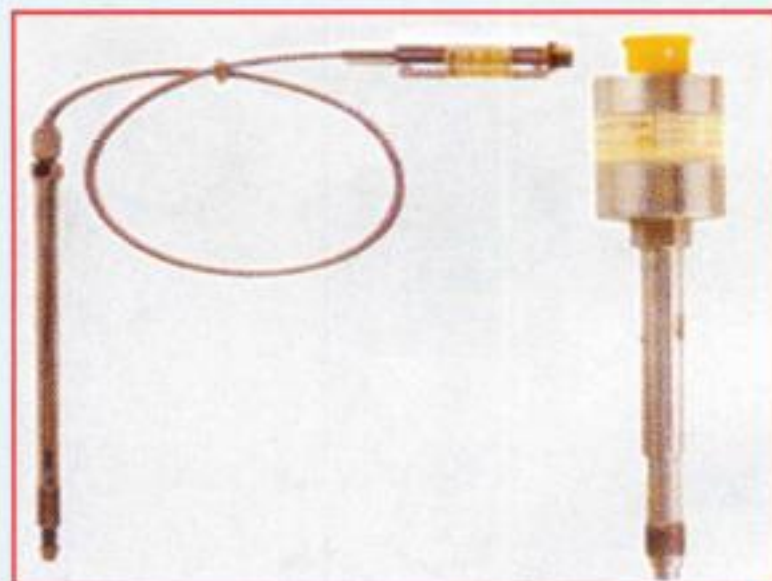


HMPT

High Temperature Melt Pressure Transducer

- Maximum Diaphragm Temperature 400°C [750°F]
- Maximum Electronic Housing Temperature 70°C [160°F]
- Choice of Pressure Range 1500 Bar [Max.]
- Internal Shunt Calibration 80%
- Analog Output (On Request)

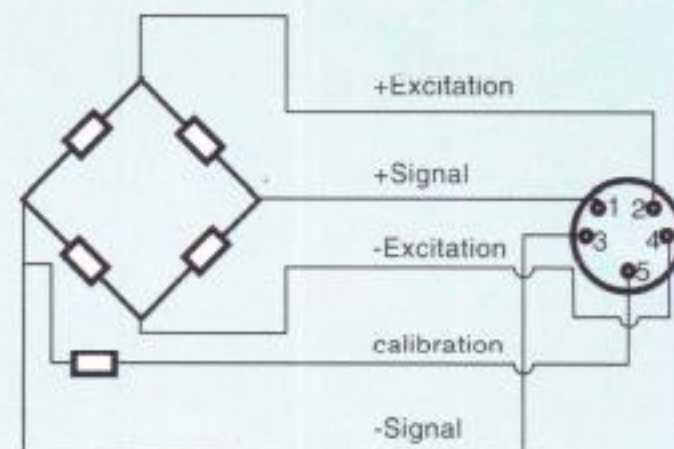


HMPT series HIGH TEMPERATURE MELT PRESSURE TRANSDUCERS are for accurate and reliable measurement of pressure. It can be connected to digital display indicators. **HMPT** is the only transducer which is a straight substitute to MDA, PT, TPT, TDA series. It is available in three different types – Straight Barrel, Soft Barrel and Special. It is most suitable for pressure measurement up to 400°C. **HMPT** is widely used by PLASTIC, RUBBER, CHEMICAL, FIBRE and other industries.

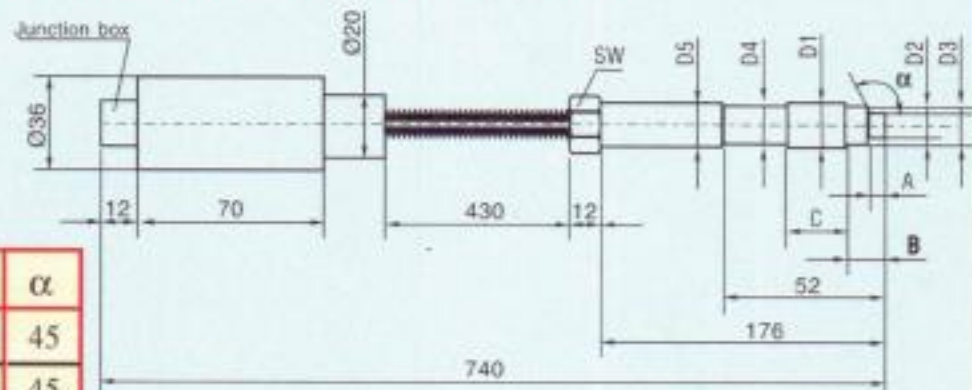
Specifications

Rated Pressure	0...100, 150, 200, 250, 300, 350, 400, 500, 600, 700, 1000, 1500.	Bar
Sensitivity	1.5, 2, 3, 3.3	m V/V
Accuracy	≤ 1.5	% F.S.O
Zero Balance	≤ ± 1	mV
Output Impedance	350 ± 35	Ω (ohms)
Insulation Resistance	500	M Ω @ 100 VDC
Recommended Excitation	6 – 12	V DC
Max. Process Temperature	400	°C
Max. Electronic Housing Temperature	70	°C
Max. Moment of Force for Installation	40	N M
Safe Over load	150	% F.S.O.

Wiring Code :



Outline dimensions (mm) :



	D1	D2	D3	D4	D5	A	B	C	SW	α
HMPT-A	M14X1.5-6g	Ø7.7	Ø12	Ø12	Ø13	6.4	12	20	19	45
HMPT-B	M18x1.5-6g	Ø9.8	Ø16	Ø16	Ø17	6.4	12	20	19	45
HMPT-C	1/2"-20UNF-2B	Ø7.7	Ø10.4	Ø10.4	Ø13	6	12	16	19	45
HMPT-D	G1/4"	Ø7.7	Ø10.5	Ø11	Ø13	6.4	12	30	19	45
HMPT-E	M22x1.5-6g	Ø10	—	Ø16	Ø17	10.4	10.4	22	19	0
HMPT-F	M22x1.5-6g	Ø16	—	Ø16	Ø17	10.4	10.4	22	19	0
HMPT-G	PF3/4"	Ø18	Ø24	Ø23.5	Ø23.5	12.4	16	44	24	0

Haris Sensor Technologies Private Limited

223, Shanti Industrial Estate, Sarojini Naidu Road, Mulund (West), Mumbai - 400 080
 Tel.: 2568 3435 / 2567 2205 / 2567 2204 Fax: +91 22 25672205 e-mail : info@haris.in

HARIS