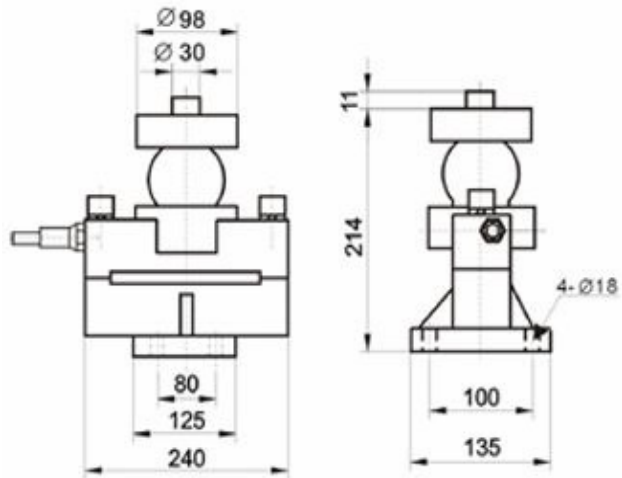


DESB – B



Features:

- High Precision
- High Reliability
- Super Stability
- In-built Lighting / Surge Protection
- Easy Installation
- Excellent replacement for any Standard Load Cell

Application: Truck Scale

Technical Specifications:-

Capacities	10, 20, 25, 30, 40 t	
Sensitivity	2.0 ± 1% mV/ V	
Non- linearity	± 0.02% FS	
Repeatability	± 0.02% FS	
Hysteresis	± 0.02% FS	
Creep (30 min.)	± 0.02% FS	
Zero Balance	± 1% FS	
Insulation Resistance	> 5000 MΩ (@ 50V DC)	
Resistance	Input	700 ± 15Ω
	Output	700 ± 5Ω
Temperature Range	Compensated	-10 ~+ 55 °C
	Operating	-30 ~ + 70°C
Temperature Effect	Output	± 0.02% FS/10°C
	Zero	± 0.02% FS/ 10°C
Maximum excitation voltage	18V (DC /AC)	
Recommended excitation voltage	10V (DC /AC)	
Safe Overload	150% FS	
Maximum Overload	200% FS	
Load cell material	Alloy steel	
Protection Class	IP 68 (Laser Welded – Hermetically Sealed)	
Connecting Cable	Ø6 x 15m	

Haris Sensor Technologies Private Limited

223, Shanti Industrial Estate, Sarojini Naidu Road, Mulund (West), Mumbai - 400080, INDIA.
 TeleFax: [+91-22] 2567 2147, 2204, 2205 ♦ E-mail: info@haris.in ♦ Website: www.harissensor.com

HARIS