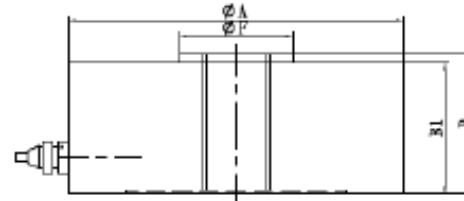
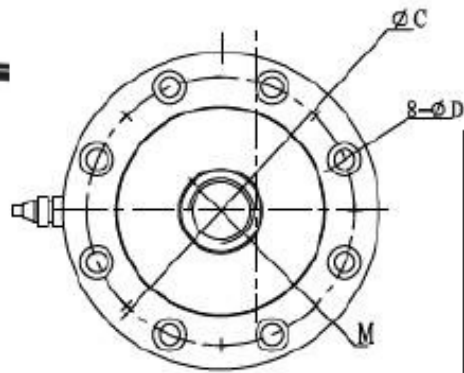
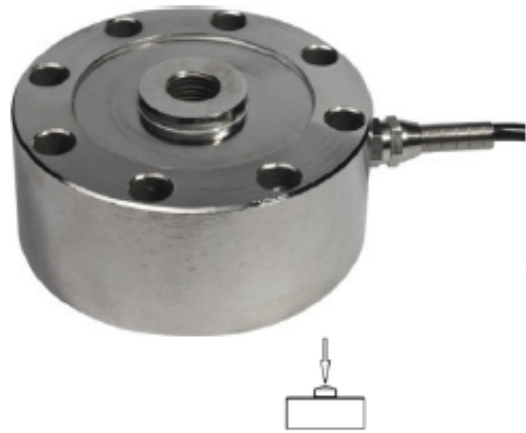


Wheel-Shaped Compression Load Cell



ULC-L



Capacity	A	B	B1	C	D	F	M
0.5~7t	105	37	34	89	6.5	32	M16*1.5 OR 5/8-18UNF
10~25t	125	56	46	101.8	8.6	39	M30*1.5 OR 1-1/4-12UNF
30~50t	145	65	54	116.8	10.5	60	M40*1.5 OR 1-3/4-12UNF
60~100t	205	85	73	162.0	12.5	76	M60*2
150~200t	296	125	115	246	21	148	M110*3

Technical Specification

Capacity	0.5 ~ 200t	Protection Class	IP67
Rated Output	2.0 ± 5% mV/V	Output Impedance	700 ± 5 Ω
Zero Balance	± 2 % F.S.	Insulation	≥5000MΩ/100VDC
Non-linearity	0.05 % F.S.	Recommended Excitation	5 ~ 10V
Hysteresis	0.05 % F.S.	Maximum Excitation	15V
Repeatability	0.05 % F.S.	Compensated Temp Range	- 10 ~ 60 °C
Creep (30min)	0.05 % F.S.	Operating Temp Range	- 20 ~ 80 °C
Temp Effect on Output	0.025 % F.S. / 10°C	Safe Load Limit	150%
Temp Effect on Zero	0.025 % F.S. / 10°C	Ultimate Load Limit	200%
Input Impedance	750 ± 10 Ω	Cable Size	Ø 5 x 6m
Wire Connection	Ex + : Red; Ex - : Black; Sig + : Green; Sig - : White	Material	Alloy steel / Stainless Steel
Applications	Mainly applied in tension and compression testing instruments and all kinds of weighing scales, such as testing instruments, press machine, hydraulic press machine, hopper scales, electronic lifting hook scales, cold & hot lamination machine, and etc.		