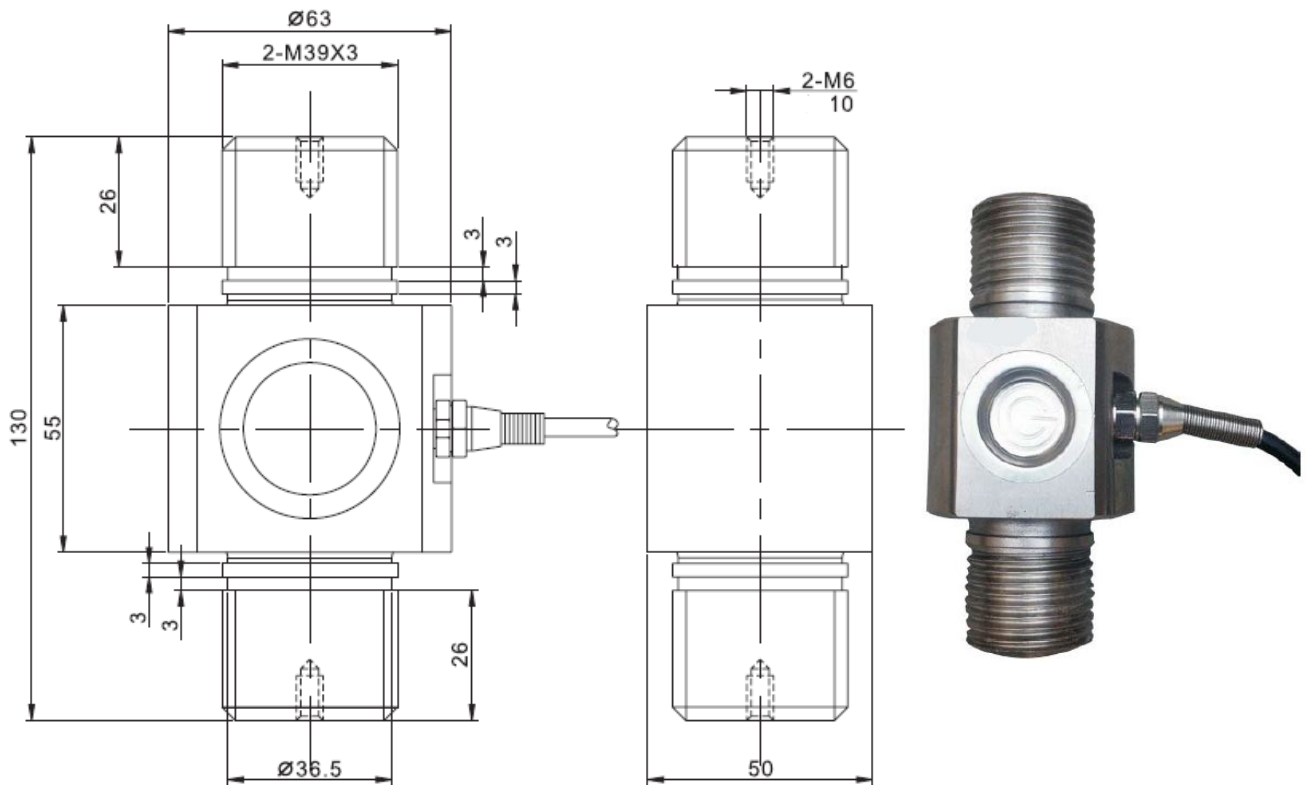


MODEL SL-T TRANSDUCERS



Technical Data:

Capacity		20 t
Sensitivity		$2.0 \pm 0.05\text{mV/V}$
Non-linearity		$\pm 0.03\% \text{ FS}$
Repeatability		$\pm 0.03\% \text{ FS}$
Hysteresis		$\pm 0.03\% \text{ FS}$
Creep (30 min.)		0.02% FS
Zero Balance		$\pm 1\% \text{ FS}$
Insulation Resistance		$\geq 5000 \text{ M}\Omega$ (50V DC)
Resistance	Input	$365 \pm 10\Omega$
	Output	$350 \pm 5\Omega$
Temperature Range	Compensated	-10 ~ 40°C
	Operating	-35 ~ 80°C
Temperature Effect	Output (span)	0.0016% FS/°C
	Zero	0.003% FS/°C
Recommended Supply Voltage		10 ~ 15V
Safe Overload		150%
Maximum Overload		200%
Protection Class		IP67
Construction		Alloy Steel
Cable		4 Core Ø5.7 x 3.5m

Haris Sensor Technologies Private Limited

223, Shanti Industrial Estate, Sarojini Naidu Road, Mulund (West), Mumbai - 400080, INDIA.
 TeleFax: +91-22-2568 3435 / 2567 2204, 2205 ♦ E-mail: info@haris.in ♦ Website: www.harissensor.com

