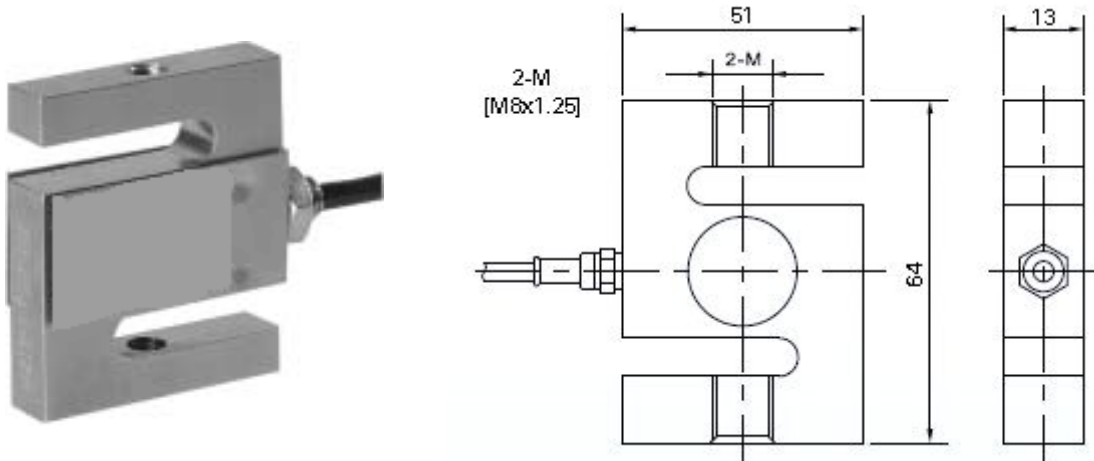


## S Type Load Cell (5 To 30kg)

- ❖ S Type Load cell, tension and compression.
- ❖ Good output symmetry, compact structure, simple to install and full range of capacities.
- ❖ Suitable for electromechanical scale, crane scale, hopper scale and various special scales.
- ❖ Material: Alloy Steel, Stainless Steel



### Specifications:

Capacities	5, 10, 20, 30 Kg		
Rated Output	2.00 ± 0.5mV/V		
Nonlinearity	± 0.03 %FS		
Hysteresis	± 0.03 %FS		
Repeatability	± 0.03 %FS		
Creep(30 minutes)	± 0.03 %FS		
Zero balance	±1.00 %FS		
Temperature effect on zero	±0.02 %FS/10°C		
Temperature effect on output	±0.02 %FS/10°C		
Input resistance	385 ± 10 Ω		
Output resistance	350 ± 3 Ω		
Insulation resistance	≥5000 MΩ		
Excitation voltage	10V (DC/AC)		
Compensated temperature range	-10 ~ +50°C		
Operating temperature range	-20 ~ +60°C		
Safe overload	120 %FS		
Cable	Φ5.4 X 3m		
Cable Colour Code	Input:	+ Red	- Black
	Output:	+ Green	- White

### Haris Sensor Technologies Private Limited

223, Shanti Industrial Estate, Sarojini Naidu Road, Mulund (West), Mumbai 400 080.  
 Telefax: [022] 2567 2147, 2204, 2205 E-mail: info@haris.in Website: www.harissensor.com

**HARIS**