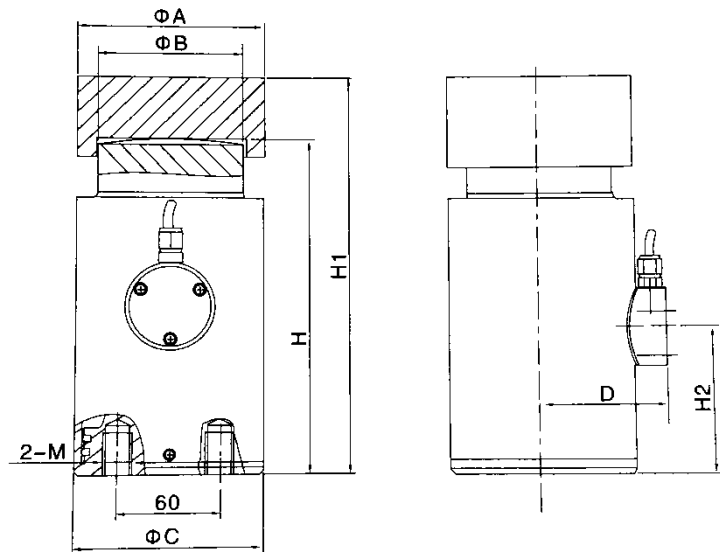


Model CMLC [30-300t]



Rated Load	ØA	ØB	ØC	D	H	H1	H2	M
30 ~ 100t	89	64	89	59.5	160	196	70	M12 x 1.75
200t	110	85	110	73.1	200	238	88	M16 x 1.5
300t	148	106	148	96.1	250	310	109	M16 x 1.5

Application

- Column Type
- Compression
- Suitable for Truck Scale, Rail-Road Scale and Other Special Scale
- Hermetically Sealed - IP67
- Simple to Install
- Fast Dynamic Response
- Easy to Use

Technical Parameter

Rated Load	30t - 300t
Sensitivity	2.0000 ± 0.001mV/V
Total Error	±0.02%F.S
Creep(30minutes)	±0.02%F.S
Recommended Excitation Voltage	5V~18V(AC or DC)
Maximum Excitation Voltage	24V(AC or DC)
Zero Balance	±1%F.S
Input Impedance	775 ± 5Ω
Output Impedance	700 ± 2Ω
Insulation Impedance	≥5000MΩ
Safe Overload	150%F.S
Ultimate Overload	200%F.S
Operating Temperature Range	-30~+70°C
Compensated Temperature Range	-20~+60°C
Temperature Effect On Load	±0.02%F.S/10°C
Temperature Effect On Zero	±0.02%F.S/10°C
Construction	Alloy Steel
Protection Class	IP67 & IP68

Haris Sensor Technologies Private Limited

223, Shanti Industrial Estate, Sarojini Naidu Road, Mulund (West), Mumbai - 400080, INDIA.
 TeleFax: +91-22-2568 3435 / 2567 2204, 2205 ♦ E-mail: info@haris.in ♦ Website: www.harissensor.com

