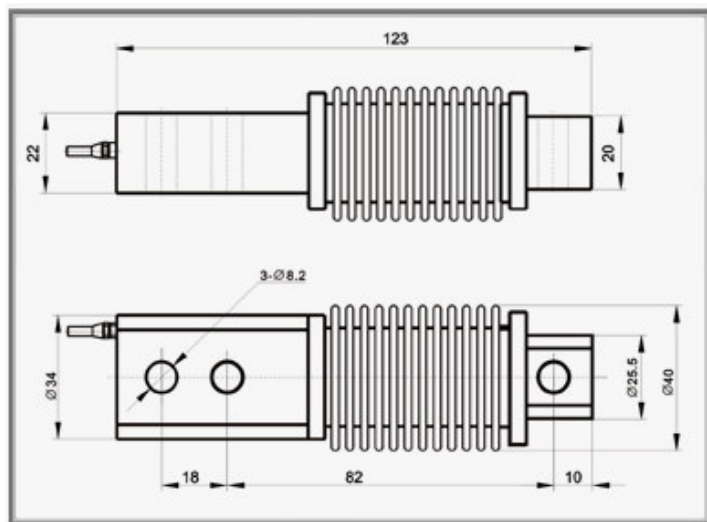


Model SBB

Application: Belt weighing, Loss in weight feeders, Marine scales and Food industry.



Technical Specifications:

Capacity	5, 10, 20, 50, 100, 200, 500 kg	
Sensitivity	2.0 ± 1% mV/V	
Non-linearity	± 0.02% FS	
Repeatability	± 0.02% FS	
Hysteresis	± 0.02% FS	
Creep (30 Min.)	± 0.02% FS	
Zero Balance	± 1% FS	
Insulation Resistance	> 5000 MΩ (@ 50V DC)	
Resistance	Input	400 ± 15Ω
	Output	350 ± 3Ω
Temperature Range	Compensated	-10 ~ +55°C
	Operating	-30 ~ +75°C
Temperature Effect	Output	± 0.02% FS/10°C
	Zero	± 0.03% FS/10°C
Maximum Supply Voltage	15V (DC/AC)	
Recommended Supply Voltage	10V (DC/AC)	
Safe Overload	150% FS	
Maximum Overload	200% FS	
Protection Class	IP 67 (Hermetically Sealed)	
Construction	Stainless Steel	
Connecting Cable	Ø6 x 5m	

Haris Sensor Technologies Private Limited

223, Shanti Industrial Estate, Sarojini Naidu Road, Mulund (West), Mumbai - 400080, INDIA.
 TeleFax: [+91-22] 2567 2147, 2204, 2205 ♦ E-mail: info@haris.in ♦ Website: www.harissensor.com

HARIS