

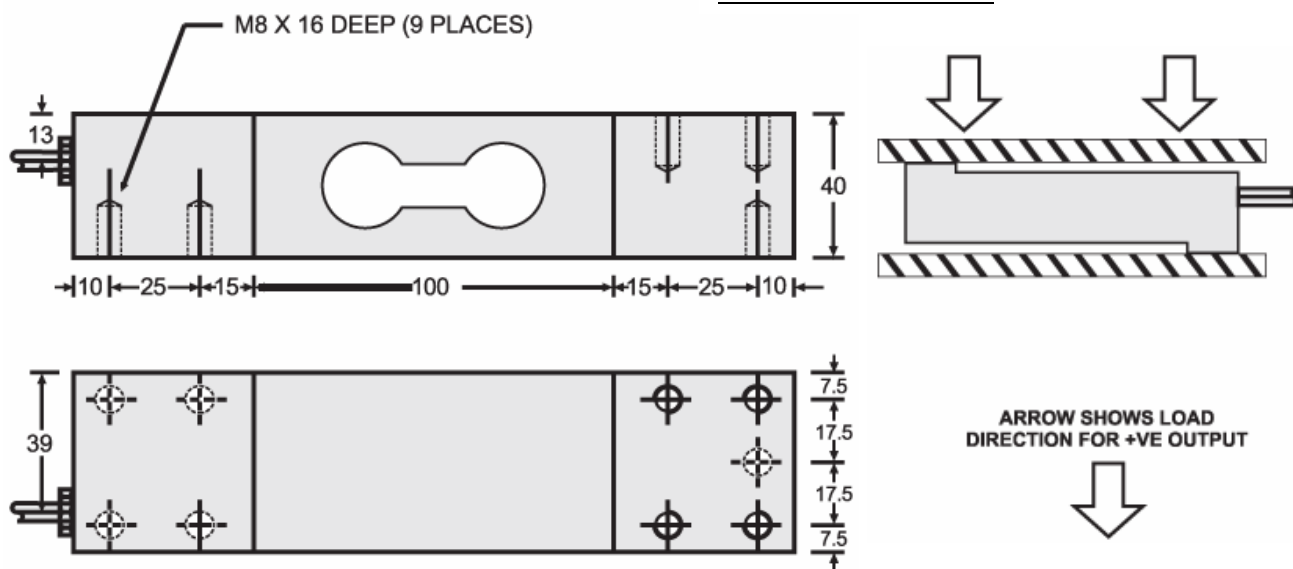
Model PFS-410

Model PFS-410 is a Strain Gauge based single point bending beam load cell and is ideal for precision single point platform scale applications.

- Supports a Platform Size of 750 x 750 mm.
- Construction is Alloy Steel.



All dimensions in mm



Technical Specifications:

Capacities	200, 300, 500, 750, 1000 kg	
Sensitivity	2.0 ± 1% mV/V	
Non-Linearity	± 0.02% FS	
Repeatability	± 0.02% FS	
Hysteresis	± 0.02% FS	
Creep (30 min.)	± 0.03% FS	
Zero Balance	± 1% FS	
Insulation Resistance	> 1000 M Ω	
Resistance	Input	400 ± 15Ω
	Output	350 ± 3Ω
Temperature Range	Compensated	-10 ~ +50 °C
	Operating	-10 ~ +60 °C
Temperature Effect	Output (span)	0.0015% FS/°C
	Zero	0.0020% FS/°C
Maximum Supply Voltage	15V (DC/AC)	
Recommended Supply Voltage	10V (DC/AC)	
Safe Overload	150% FS	
Maximum Overload	200% FS	
Protection Class	IP 65	
Construction	Alloy Steel	
Platform size	750 X 750 mm	
Cable	3m	

Haris Sensor Technologies Private Limited

223, Shanti Industrial Estate, Sarojini Naidu Road, Mulund (West), Mumbai - 400080, INDIA.
 TeleFax: [+91-22] 2567 2147, 2204, 2205 ◇ E-mail: info@haris.in ◇ Website: www.harissensor.com

HARIS