

# DESB – A

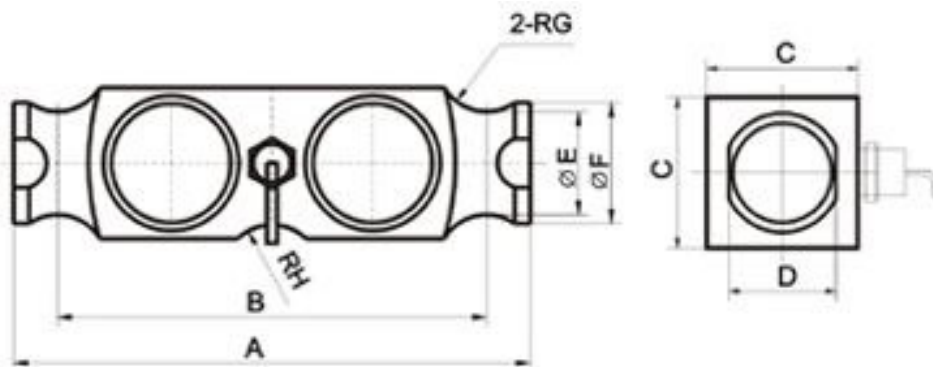
## Features:

- ❑ High Precision
- ❑ High Reliability
- ❑ Super Stability
- ❑ In-built Lighting / Surge Protection
- ❑ Easy Installation
- ❑ Excellent replacement for any Standard Load Cell



## Application:

Weigh Brides, On Board Weighing, Silo / Hopper Weighing



Capacity	Dimensions in 'mm'							
	A	B	C	D	E	F	RG	RH
10, 20, 25, 30, 40 t	260.35	215.9	76.2	55.88	52.32	60.96	R25.4	R25.4

## Technical Specification:

Capacities	10, 20, 25, 30, 40 t	
Output sensitivity	3.0 ± 1% mV/ V	
Non-Linearity	± 0.02% FS	
Repeatability	± 0.02% FS	
Hysteresis	± 0.02% FS	
Creep (30 min.)	± 0.02% FS	
Zero Balance	± 1% FS	
Insulation Resistance	> 5000 MΩ (@ 50V DC)	
Resistance	Input	700 ± 10Ω
	Output	700 ± 5Ω
Temperature Range	Compensated	-10 ~ +55 °C
	Operating	-35 ~ +65°C
Temperature Effect	Output	± 0.02% FS/10°C
	Zero	± 0.02% FS/10°C
Maximum excitation voltage	15V (DC/AC)	
Recommended excitation voltage	10V (DC/AC)	
Safe Overload	150% FS	
Ultimate Overload	300% FS	
Load cell material	Alloy steel	
Connecting Cable	Ø6 x 13m	

## Haris Sensor Technologies Private Limited

223, Shanti Industrial Estate, Sarojini Naidu Road, Mulund (West), Mumbai - 400080, INDIA.  
 TeleFax: [+91-22] 2567 2147, 2204, 2205 ♦ E-mail: info@haris.in ♦ Website: www.harissensor.com

**HARIS**