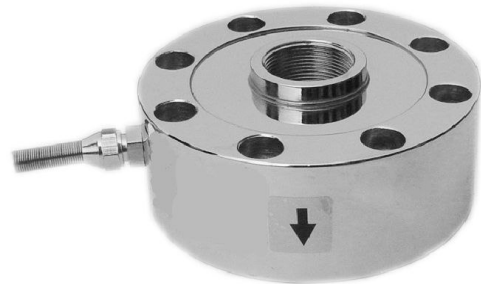
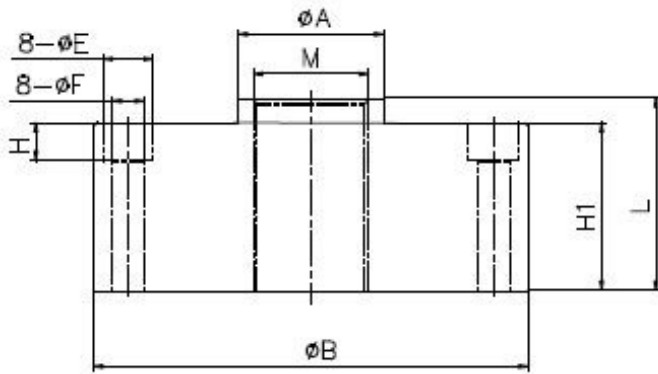
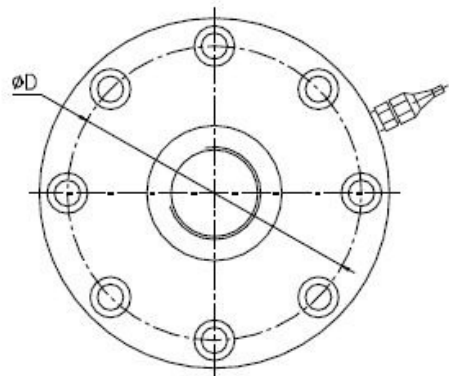


**Model: ULC**



Rated Load	A	B	D	E	F	H	H1	L	M
2t, 5t	34.0	105.0	88.9	10.5	7.5	9.2	32.0	46.0	M16 X 1.5
10t, 25t	41.0	122.0	101.7	14.0	9.0	10.5	47.0	53.0	M32 X 1.5
40t, 50t	51.0	143.0	117.0	17.0	10.5	16.0	51.0	57.6	M40 X 1.5
100t	76.0	200.0	162.6	20.0	13.0	18.0	70.0	83.0	M64 X 3.0
200t	120.0	306.0	264.0	32.0	22.0	26.0	120.0	125.0	M90 X 3.0
300t	150.0	350.0	296.0	38.0	26.0	32.0	180.0	185.0	M120 X 3.0



**Specifications:**

Application		Testing Equipment
Capacity	t	2, 5, 10, 25, 40, 50, 100, 200, 300.
Rated Output	mV/V	2.0 ± 0.04    4.0 ± 0.04
Accuracy Class		C2
Maximum Number of Verification Intervals	n max	2000
Minimum Load Cell Verification Intervals	V min	E <sub>Max</sub> /5000
Combined Error	%RO	< ±0.030
Creep	%RO/30min	0.02
Temperature Effect on Sensitivity	%RO/°C	0.0016
Temperature Effect on Zero	%RO/°C	0.005
Zero Balance	%RO	±1.0
Input Resistance	Ω	725 ± 8
Output Resistance	Ω	700 ± 5
Insulation Resistance	MΩ (50V)	5000
Recommended Excitation Voltage	V	8 ~ 15
Compensated Temperature Range	°C	-10 ~ +40
Operating Temperature Range	°C	-35 ~ +80
Safe Over Load	%RO	150    120
Ultimate Over Load	%RO	200    150
Load Cell Material		Alloy Steel / Stainless Steel
Connecting Cable		2~25t Ø5.7x8m    40~300t Ø5.7x13m