

Model TT

Capacities:

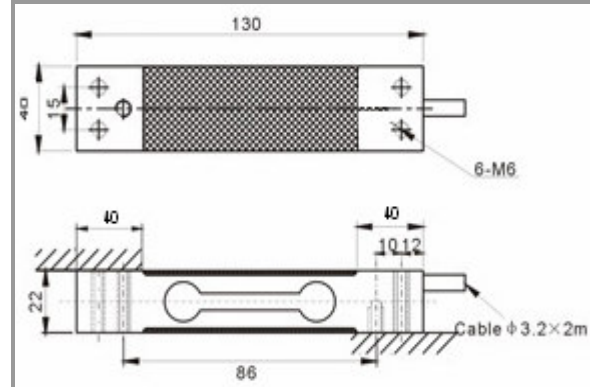
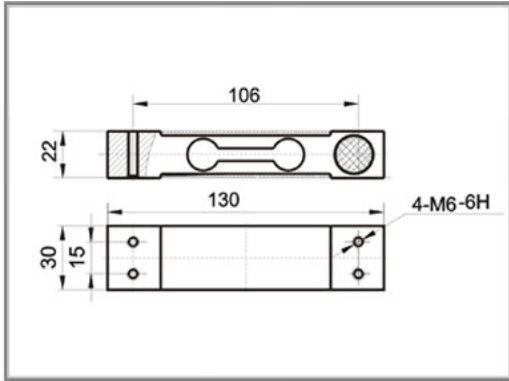
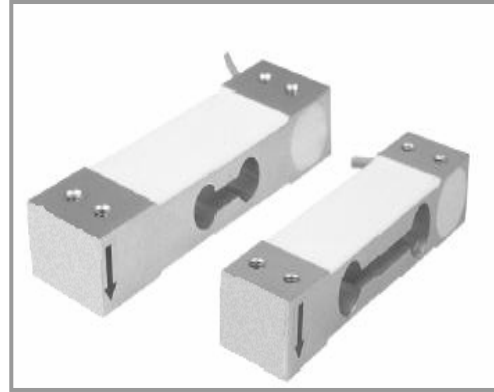
3, 6, 10, 15, 20, 30, 40, 60, 80, 100, 120, 200 kg

Application:

Low profile low cost bench scales, postal scales, kitchen scales, packaging machines.

Dimensions:

| | |
|--------------|----------------------------|
| 3 – 20 kg | 130 x 30 x 22 mm |
| 30 – 80 kg | 130 x 40 x 22 mm |
| 100 – 200 kg | 130 x 40 x 22 mm [3 Holes] |



Technical Data

| | |
|-------------------------------|--|
| Sensitivity | $2.0 \pm 10\%$ mV /V |
| Non-Linearity | $\pm 0.02\%$ FS |
| Hysteresis | $\pm 0.02\%$ FS |
| Repeatability | $\pm 0.02\%$ FS |
| Creep (20 min) | $\pm 0.02\%$ FS |
| Zero Balance | $\pm 1\%$ FS |
| Temp. effect span | $\pm 0.015\%$ FS/10°C |
| Temp effect zero | $\pm 0.02\%$ FS/10°C |
| Temperature compensated range | -10 ~ +50°C |
| Input resistance | $410 \pm 10\Omega$ |
| Output resistance | $350 \pm 3\Omega$ |
| Insulation resistance | > 5000 M Ω (@ 50V DC) |
| Safe Over Load | 150% FS |
| Ultimate load | 200% FS |
| Recommended excitation | 10V (DC/AC) |
| Maximum excitation | 12V (DC/AC) |
| Construction | Aluminium Alloy |
| Environmental protection | IP 65 |
| Max. platform size | 3 - 20 kg 300 X 300 mm 30 - 200 kg 400 X 400 mm |

Haris Sensor Technologies Private Limited

223, Shanti Industrial Estate, Sarojini Naidu Road, Mulund (West), Mumbai - 400080, INDIA.
TeleFax: [+91-22] 2567 2147, 2204, 2205 ♦ E-mail: info@haris.in ♦ Website: www.harissensor.com

HARIS