

CMLC Series TRANSDUCER

Applications:

CMLC Series load cell is applicable to static and dynamic wagon truck scale, hopper scale, drum-filling scale, ladle scale (high Temp.) and many kinds of engineering installation for force measuring.

Construction:

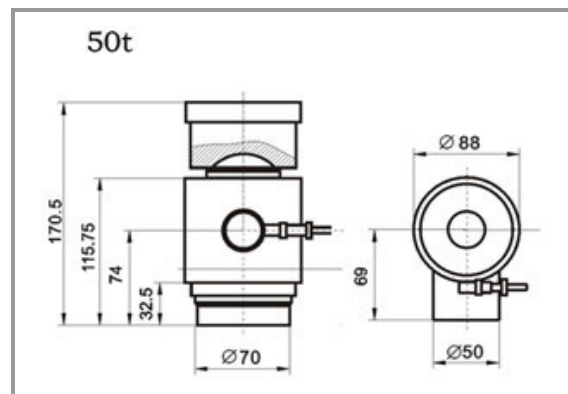
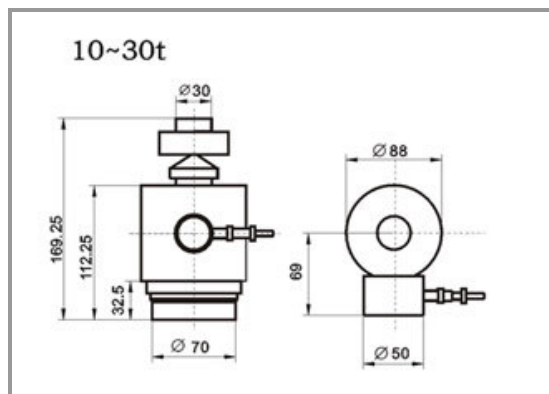
Shear column load cell, pendulum support, high accuracy, well rejection of side load. Stainless cover, stainless steel arc-welding, protection class IP68, excellent overload protection and quick dynamic reaction. Same outline for 10 ~ 50t, inter changeable with same model load cells.

Optional:

Assemblies includes load receptor, check stand, check rod, etc..

Features:

- Simple Installation.
- Environmental Protection to IP 68



Technical Data:

Capacities	10, 20, 30, 50 t	
Sensitivity	1.5 ± 1% mV/V	
Non-Linearity	± 0.02% FS	
Repeatability	± 0.01% FS	
Hysteresis	± 0.02% FS	
Creep (30 min)	± 0.02% FS	
Temperature Effect on sensitivity	± 0.0015% FS/°C	
Temperature Effect on Zero	± 0.0026% FS/°C	
Zero Balance	± 1% FS	
Insulation Resistance	> 5000 MΩ (@ 50 V DC)	
Resistance	Input	670 ± 10Ω
	Output	605 ± 5Ω
Recommended excitation voltage	10V (DC/AC)	
Maximum excitation voltage	24V (DC/AC)	
Compensated Temperature range	-10 ~ +55°C	
Operating Temperature range	-35 ~ +80°C	
Safe Overload	150% FS	
Ultimate Overload	200% FS	
Load cell material	Stainless Steel	
Connecting Cable	Ø6 x 15m	

Haris Sensor Technologies Private Limited

223, Shanti Industrial Estate, Sarojini Naidu Road, Mulund (West), Mumbai - 400080, INDIA.
 TeleFax: [+91-22] 2567 2147, 2204, 2205 ♦ E-mail: info@haris.in ♦ Website: www.harissensor.com

